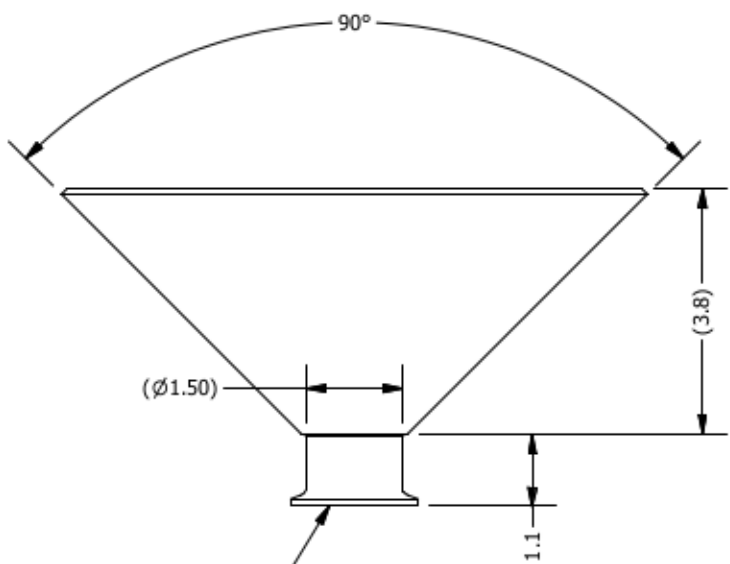
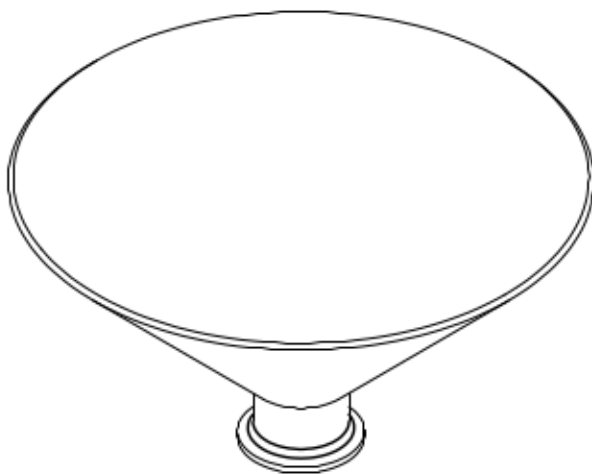
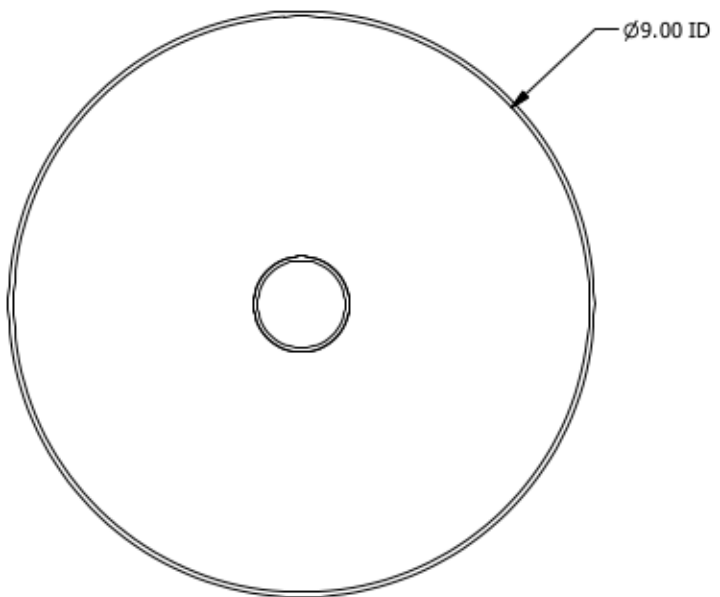


2

1



MATERIAL: 304 STAINLESS STEEL, 12 GA (CONE)
 304 STAINLESS STEEL (SANITARY FITTING)

NOTE: ALL WELDS LIQUID TIGHT

General Tolerances		TITLE		
Unless otherwise noted		FINISH CONE 45 DEG.		
x.x ± .1"	x.xxx ± .005"	SIZE	DWG NO	REV
x.xx ± .02"	xx° ± 1°	A	N/A	A
DRAWN:	DATE:	SCALE	PROJECT:	SHEET 1 OF 1
FILE: finish cone 45.idw		NONE		

2

1